

CONTROL PANEL OPERATIONS

The control panel buttons can be pressed individually to perform the operations indicated by their names.

FONT BUTTON — selects the font to be printed. To change the font, set the printer off-line, then press this button repeatedly until the indicators beside the desired selection illuminate.

PITCH BUTTON — allows you to select the printing pitch. Remember that the printer must be off-line for you to do this.

SET/EJECT BUTTON — sets the paper to the position if the paper has not been loaded. If the paper has been loaded, pressing this button ejects the cut forms, or parks the fanfold forms.

PAPER FEED BUTTON — If you press and release this button while off-line, the paper will feed forward one line.

If you hold the button down, the printer will perform consecutive line feeds.

If you press this button while on-line, this will alternately select and cancel the Quiet mode.

ON LINE BUTTON — sets the printer on-line and off-line. The status changes each time you press the button.

SWITCH COMBINATION FUNCTIONS

Several additional functions can be achieved by pressing the control panel buttons in combinations.

FORM FEED

If you are using cut forms, this operation ejects the current page. If you are using fanfold forms, it feeds to the top of the next page.

TOP OF FORM

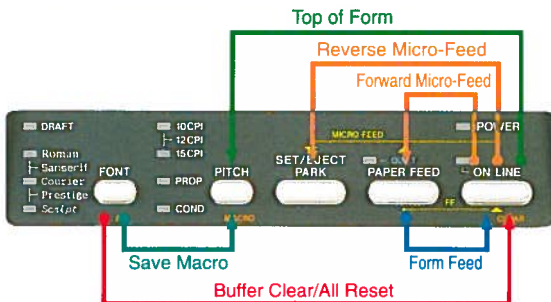
When you power on the printer, the top-of-form position is automatically set to the current position. If this is not where you want the top of the page to be, you can change the top-of-form position.

MICRO-FEED

For fine alignment, you can feed the paper either forward or reverse in very small increments.

BUFFER CLEAR/ALL RESET

Press and hold the (FONT) and (ON LINE) buttons in off-line. Continue holding these



two buttons down, you will hear a beep tone that the buffer is cleared. If you hold these buttons down longer, you will hear three beep tones and the printer has been initialized to the power-on default settings.

SAVE MACRO

You can save the current settings to the printer for later use with the (FONT) button and the (PITCH) button combinations.

POWER-UP FUNCTIONS

The control panel buttons perform "special" functions if you hold them down while switching the power button on.

SELF-TEST

If the printer is turned on while the (ON LINE) button is pressed, the printer will enter the short self-test mode.

If the printer is turned on while the (PAPER FEED) button is pressed, the printer will enter the long self-test mode.

PRINT AREA TEST

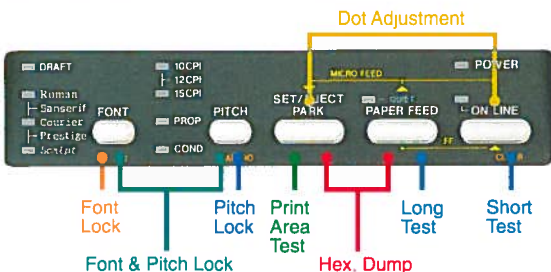
By holding the (SET/EJECT) button during power-on, the printer will enter the print area test mode. This way, you can find how many lines on your paper are available for printing.

PITCH LOCK

By holding the (PITCH) button down during power-up, the print pitch can only be selected from the control panel. This prevents software interference. You will hear an acknowledging beep as power comes on.

FONT LOCK

By holding the (FONT) button during power-up, fonts can only be selected from the control panel. This prevents software interference. There will be an acknowledging beep.



FONT AND PITCH LOCK

If you want to protect both the font and pitch settings from software changes, press both the (FONT) and (PITCH) buttons during power-up.

There will be two acknowledging beep tones.

DOT ADJUSTMENT

This mode is used to adjust the vertical alignment of text and graphics on successive bi-directional passes.

HEXADECIMAL DUMP

This feature is useful for programmers who are debugging printing programs and want to see the actual codes the printer is receiving.

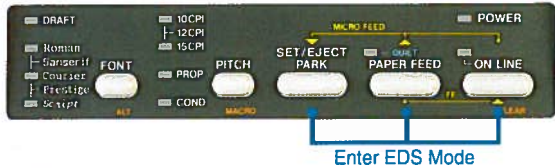
In this mode, all data received will be printed in a hexadecimal dump format, rather than the control codes being acted on as command codes.

ELECTRONIC DIP SWITCH (EDS) MODE

From the control panel you can change the parameters that define how your printer works. These parameters become your power-on settings. This function is called the Electronic DIP Switch (EDS) mode.

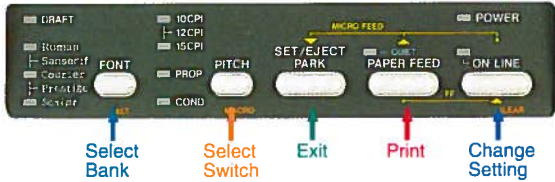
The EDS mode in this printer has 16 functions that you can set as the power-on default.

Turn the printer on while simultaneously holding the **(SET/EJECT)**, **(PAPER FEED)**, and **(ON LINE)** buttons. You will hear an acknowledging beep as power comes on. This indicates that you have entered the EDS mode.



In EDS mode, the buttons on the control panel are used as shown below:

- Use the **(FONT)** button to select the **Bank Letter**.
- Use the **(PITCH)** button to select the **Switch Number**.
- The **ON LINE** indicator shows the current setting, ON or OFF.
Use the **(ON LINE)** button to **change the settings**.
- Press the **(PAPER FEED)** button to **print** the current settings.
- Press the **(SET/EJECT)** button to **save and exit** the EDS mode.



| Bank-Switch | Function | ON | OFF |
|-------------|----------------------------|--------------------------|-----------------|
| A-1 | Emulation | Standard/Epson | IBM |
| A-2 | AEC Mode | Enabled | Disabled |
| A-3 | RAM Usage | Input Buffer | Download buffer |
| A-4 | Automatic Sheet Feeder | Not installed | Installed |
| A-5 | Auto LF with CR | Disabled | Enabled |
| B-1 | Graphics Direction | Bi-directional | Uni-directional |
| B-2 | Paper-out | Enabled | Disabled |
| B-3 | Printable Area | Type A | Type B |
| B-4 | (Reserved) | Leave ON | |
| B-5 | CR Centering | Disabled | Enabled |
| C-1 | | | |
| C-2 | Page Length | (See Table 1) | |
| C-3 | | | |
| C-4 | Print Pitch | (See Table 2) | |
| C-5 | | | |
| D-1 | Print Mode | Letter Quality | Draft |
| D-2 | Character Table | Standard mode | IBM mode |
| | | Graphics IBM #2 | Italics IBM #1 |
| D-3 | Code page or International | (See Table 3 or Table 4) | |
| D-4 | | | |
| D-5 | Character Set | | |
| E-1 | | | |
| E-2 | LQ Font Selection | (See Table 5) | |
| E-3 | | | |
| E-4 | (Reserved) | Leave ON | |
| E-5 | (Reserved) | Leave ON | |

Table 1: Page Length

| Page Length | C-1 | C-2 | C-3 |
|-----------------------|-----|-----|-----|
| 11 inches/Letter | ON | ON | ON |
| 8 inches | OFF | ON | ON |
| 11.7 inches/A4 | ON | OFF | ON |
| 12 inches | OFF | OFF | ON |
| 8.5 inches | ON | ON | OFF |
| 14 inches/Legal | OFF | ON | OFF |
| 10.5 inches/Executive | ON | OFF | OFF |
| 7.25 inches | OFF | OFF | OFF |

Table 2: Print Pitch

| Print Pitch | C-4 | C-5 |
|-------------|-----|-----|
| 10 CPI | ON | ON |
| 12 CPI | ON | OFF |
| 15 CPI | OFF | ON |
| 17 CPI | OFF | OFF |

Table 3: Code Page

| Code Page | D-3 | D-4 | D-5 |
|----------------------|-----|-----|-----|
| ##437 U.S.A. | ON | ON | ON |
| #850 Multi-lingual | OFF | ON | ON |
| #880 Portuguese | ON | OFF | ON |
| #861 Icelandic | OFF | OFF | ON |
| #863 Canadian French | ON | ON | OFF |
| #865 Nordic | OFF | ON | OFF |

Table 4: International Character Set

| Country | D-3 | D-4 | D-5 |
|-----------|-----|-----|-----|
| U.S.A. | ON | ON | ON |
| France | OFF | ON | ON |
| Germany | ON | OFF | ON |
| England | OFF | OFF | ON |
| Denmark I | ON | ON | OFF |
| Sweden | OFF | ON | OFF |
| Italy | ON | OFF | OFF |
| Spain I | OFF | OFF | OFF |

Table 5: LQ Font Selection

| Font Name | E-1 | E-2 | E-3 |
|-----------|-----|-----|-----|
| Roman | ON | ON | ON |
| Sanserif | OFF | ON | ON |
| Courier | ON | OFF | ON |
| Prestige | OFF | OFF | ON |
| Script | ON | ON | OFF |

NOTE: The default is ON for all functions at purchase except B-1 and B-3 which are set to the OFF position.